



## INTERNATIONAL APPLICATION PUBLISHED UNDER THE PATENT COOPERATION TREATY (PCT)

<p>(51) International Patent Classification<sup>6</sup> : <b>A61B 17/32</b></p>	<p><b>A1</b></p>	<p>(11) International Publication Number: <b>WO 98/49952</b> (43) International Publication Date: 12 November 1998 (12.11.98)</p>
<p>(21) International Application Number: PCT/US98/08862 (22) International Filing Date: 1 May 1998 (01.05.98) (30) Priority Data: 08/853,165 8 May 1997 (08.05.97) US (71) Applicant: EMBOL-X, INC. [US/US]; 3110 Coronado Drive, Santa Clara, CA 95054-3205 (US). (72) Inventor: MAAHS, Tracy, D.; 312 Sequoia Avenue, Redwood City, CA 94061 (US). (74) Agents: KAPPOS, John, C. et al.; Lyon &amp; Lyon L.L.P., Suite 4700, 633 West Fifth Street, Los Angeles, CA 90071-2066 (US).</p>		<p>(81) Designated States: AU, CA, JP, European patent (AT, BE, CH, CY, DE, DK, ES, FI, FR, GB, GR, IE, IT, LU, MC, NL, PT, SE).  <b>Published</b> <i>With international search report.</i></p>
<p>(54) Title: MODULAR FILTER WITH DELIVERY SYSTEM</p>		
<p>(57) Abstract</p>		
<p>This invention is a modular blood filter device (10) and delivery system, comprising an arterial cannula (20) with a modular filter device (10). The arterial cannula (20) includes a distal end (24) adapted to enter an artery, and a side port (32) for receiving a modular filter cartridge (42). The modular filter cartridge (42) includes a tubular cartridge (42), and a shaft (62) having a handle (68) on one end and an expandable filter device (60) on the other end. The expandable filter device (60) includes filter mesh (80) and an expansion frame (72) capable of assuming enlarged and contracted conditions. The shaft (62) is inserted into the cartridge, thereby containing the expandable filter device (60) therein. The cartridge (42) may be then removably received by the side port (32) on the cannula. The cannula (20) may be introduced into a blood vessel, and the expandable filter device (60) may be deployed through the cannula (20) into the vessel. The expansion frame (72) may be expanded to the enlarged condition to capture embolic material in the mesh (80), may be collapsed to the contracted condition, and may be removed from the vessel. The modular filter cartridge (42) may be removed from the cannula (20), and a new modular filter cartridge (42) may then be received therein.</p>		

**FOR THE PURPOSES OF INFORMATION ONLY**

Codes used to identify States party to the PCT on the front pages of pamphlets publishing international applications under the PCT.

AL	Albania	ES	Spain	LS	Lesotho	SI	Slovenia
AM	Armenia	FI	Finland	LT	Lithuania	SK	Slovakia
AT	Austria	FR	France	LU	Luxembourg	SN	Senegal
AU	Australia	GA	Gabon	LV	Latvia	SZ	Swaziland
AZ	Azerbaijan	GB	United Kingdom	MC	Monaco	TD	Chad
BA	Bosnia and Herzegovina	GE	Georgia	MD	Republic of Moldova	TG	Togo
BB	Barbados	GH	Ghana	MG	Madagascar	TJ	Tajikistan
BE	Belgium	GN	Guinea	MK	The former Yugoslav Republic of Macedonia	TM	Turkmenistan
BF	Burkina Faso	GR	Greece	ML	Mali	TR	Turkey
BG	Bulgaria	HU	Hungary	MN	Mongolia	TT	Trinidad and Tobago
BJ	Benin	IE	Ireland	MR	Mauritania	UA	Ukraine
BR	Brazil	IL	Israel	MW	Malawi	UG	Uganda
BY	Belarus	IS	Iceland	MX	Mexico	US	United States of America
CA	Canada	IT	Italy	NE	Niger	UZ	Uzbekistan
CF	Central African Republic	JP	Japan	NL	Netherlands	VN	Viet Nam
CG	Congo	KE	Kenya	NO	Norway	YU	Yugoslavia
CH	Switzerland	KG	Kyrgyzstan	NZ	New Zealand	ZW	Zimbabwe
CI	Côte d'Ivoire	KP	Democratic People's Republic of Korea	PL	Poland		
CM	Cameroon	KR	Republic of Korea	PT	Portugal		
CN	China	KZ	Kazakistan	RO	Romania		
CU	Cuba	LC	Saint Lucia	RU	Russian Federation		
CZ	Czech Republic	LI	Liechtenstein	SD	Sudan		
DE	Germany	LK	Sri Lanka	SE	Sweden		
DK	Denmark	LR	Liberia	SG	Singapore		
EE	Estonia						

DESCRIPTION

## MODULAR FILTER WITH DELIVERY SYSTEM

5           The present invention relates generally to blood filter devices for temporary placement in a blood vessel to capture embolic material, and more particularly to a cannula with a modular filter device for placement in a blood vessel to carry blood to the vessel and to entrap embolic material in the vessel, for example when delivering blood to the aorta from a bypass-oxygenator system during cardiac  
10 surgery. The present invention also relates to methods for protecting a patient from embolization which may be caused by procedures, such as incising, clamping and unclamping, which may dislodge atheromatous material from an artery.

BACKGROUND OF THE INVENTION

15           During cardiac surgery, it is often necessary to introduce a cannula into an artery or other blood vessel. For example, an arterial cannula is typically introduced into the aorta to deliver blood from a bypass-oxygenator system. Such a cannula generally includes a proximal end for receiving blood from a bypass-oxygenator machine, a distal end for entry into an artery, and a lumen extending  
20 between the proximal and distal ends.

          One concern with such procedures is that calcified plaque or other embolic material may be dislodged, particularly when clamping or unclamping arteries such as the aorta. See Barbut et al., "Cerebral Emboli Detected During Bypass Surgery Are Associated With Clamp Removal," *Stroke*, 25(12):2398-2402 (1994),  
25 which is incorporated herein by reference in its entirety. Such embolic material may travel downstream, possibly becoming lodged in another portion of the blood vessel or possibly reaching a vital organ, such as the brain, where the material can cause substantial injury to the patient.

          For this reason, some arterial cannulas may include a blood filter device  
30 attached directly to them. For example, an expandable filter device may be mounted on the distal end of a cannula, allowing the filter to capture any loose

embolic material once the cannula is introduced into the vessel. Generally, such devices include an expandable frame, such as an inflation seal or an umbrella frame, and a filter mesh attached to the frame, the mesh being adapted to capture embolic material of a predetermined minimum size. The frame may be attached  
5 externally to the distal end, or alternatively, it may be retractably deployed from a lumen within the cannula.

The use of a cannula with such a filter device, however, may not be as effective as desired. For example, because the filter is generally attached to the distal end of the cannula, the filter may be exposed within the vessel for the entire  
10 duration of the procedure, sometimes several hours. Because of the length of time of most cardiac procedures, the filter mesh may eventually become clogged due to thrombus formation or buildup of embolic material, preventing the device from effectively capturing additional material and/or possibly impairing blood flow through the filter. If the filter is retractable, it may be closed within the vessel  
15 when it becomes clogged, but this prevents capture of embolic material throughout the remainder of the procedure.

Accordingly, there is a need for a filter device for use with an arterial cannula that minimizes the exposure of the filter within a blood vessel, thereby reducing the risk of clogging the filter mesh.

20

### SUMMARY OF THE INVENTION

The present invention is directed to a modular blood filter device and a delivery system for intermittently introducing the filter device into a blood vessel during an extended surgical procedure, and to methods for using such a device.

25 The present invention is also directed to an arterial cannula with modular filter device for temporary placement in a blood vessel to carry blood to the vessel and to entrap embolic material in the vessel, for example when delivering blood to the aorta from a bypass-oxygenator system during cardiac surgery.

30 Generally, an embodiment of an arterial cannula with modular filter device in accordance with the present invention comprises a cannula with a side port and a modular filter cartridge, the latter including an expandable filter device and a

tubular cartridge. The cannula is an elongate tubular member, having a distal end adapted to enter an artery, a proximal end adapted to receive blood from a bypass-oxygenator machine, and a lumen which extends from the proximal end to the distal end. The cannula also includes a side port for receiving the modular filter cartridge. The side port may be attached to or integrally formed on the outer surface of the cannula, possibly on the front (downstream area), back (upstream area) or side of the cannula. Preferably, the side port is located adjacent the distal end of the cannula, for example above a suture flange thereon. More preferably, the side port extends diagonally from the outer surface to facilitate directing the filter device towards the distal end of the cannula. A passage extends from the side port to the lumen in the cannula, or alternatively, may extend distally from the side port along a wall of the cannula to an outlet on or adjacent the distal end of the cannula. The side port may include a hemostatic valve across the passage to provide a fluid-tight seal, yet allow a modular filter cartridge to be received in and removed from the side port.

An expandable filter device for use with embodiments of the present invention generally includes a semi-rigid shaft having a handle on its proximal end and an expansion frame on its distal end. Filter mesh is attached to the expansion frame to provide an expandable filter capable of assuming enlarged and contracted conditions.

The expansion frame for the expandable filter may be self-expanding upon deployment, or may be controlled from the handle on the proximal end of the shaft. For example, the expansion frame may be formed from a superelastic or shape memory material, such as a Nitinol ring, that opens automatically when deployed. Preferably, the ring includes kinks where the ring is attached to the shaft, biasing the ring against the wall of a vessel, and maximizing the cross-section of the vessel intersected by the filter. Thus, once deployed, the ring automatically expands across the vessel, opening the filter, such as a substantially conical mesh, to capture embolic material in the vessel.

Alternatively, the expansion frame may include an annular inflation seal, such as a silicon balloon, that may be filled with fluid to open the mesh across the

vessel into which the device is deployed. In this embodiment, the shaft may include an inflation lumen extending between the proximal and distal ends thereof for injecting and removing fluid.

5 The expansion frame may also be mechanically operated, such as by a guide wire and/or a spring connected to the expansion frame, generally controlled from the handle on the proximal end of the shaft. For example, the expansion frame may include a plurality of struts that may be biased to the contracted condition, possibly using a shape memory material or a spring. A ring attached to the struts may be directed axially to expand and contract the struts respectively  
10 between the enlarged and contracted conditions.

In addition, the cannula with modular filter device also includes a tubular cartridge into which the expandable filter device may be inserted. Generally, the cartridge is a tubular member providing a hemostatic seal between the shaft on the filter device and the side port on the cannula, or the cartridge may include a  
15 hemostatic valve to provide a fluid-tight seal between the cartridge and the filter device inserted therein. The cartridge generally has a shape similar to the side port, as well as the shaft on the filter device. Preferably, these components have similar cross-sections, such as a substantially square or rectangular shape, that limit the arterial cannula with modular filter device to a predetermined assembled  
20 orientation that ensures that the filter device is deployed across the vessel when deployed. The distal end of the shaft on the expandable filter device is generally inserted into the cartridge, such that the expansion frame and mesh are substantially contained within the cartridge, thereby providing a modular filter cartridge.

25 The modularity provided by the cartridge, combined with the side port on the cannula, is an important feature of the present invention. During use, the cannula may be introduced into a blood vessel, such as the aorta, using conventional procedures, a modular filter cartridge generally being provided in the side port prior to introduction of the cannula. Once the distal end of the cannula is  
30 in position within the vessel and the cannula is secured to the patient, the filter device may be deployed into the vessel. The shaft of the filter device is directed

distally, causing the expandable filter on the distal end of the shaft to pass through the passage, through the lumen in the cannula and exit the distal end of the cannula into the vessel. The expansion frame may then expand automatically as it enters the vessel, or it may be expanded mechanically to its enlarged condition, opening  
5 the filter mesh substantially across the vessel and capturing any embolic material traveling therethrough. At any time, the expansion frame may be closed to its contracted condition, either automatically by withdrawing the expandable filter, or by mechanically closing it as described above, entrapping any embolic material captured by the mesh. The expandable filter may be returned into the cartridge by  
10 pulling the shaft proximally, and the modular filter cartridge may then be removed from the side port if desired. A new modular filter cartridge may be inserted into the side port, and a new filter may then be introduced into the vessel.

The ability to replace the filter at any time during a procedure is particularly useful in cardiac surgery. For example, the cannula and filter may be  
15 deployed as described above within the aorta. The aorta may then be clamped in preparation for a bypass procedure, possibly dislodging embolic material from the wall of the aorta and traveling downstream. With the filter deployed, however, embolic material released during this action may easily be captured by the filter device. Once the aorta is clamped, the risk of embolic material breaking loose is  
20 substantially reduced, and so the filter may be removed without substantial concern about embolic material escaping to other areas of the patient.

Later in the surgery, a new filter may be introduced into the aorta when the risk of embolic material becoming dislodged is again increased, as for example  
25 when the aorta is unclamped. Because a new filter may be deployed, any embolic material that is dislodged has a much greater likelihood of being captured by the filter without substantially impairing blood flow through the vessel. Thus, a cannula with modular filter device in accordance with the present invention may more effectively capture and remove embolic material released during extended procedures, such as coronary bypass surgery.

30 Accordingly, a principal object of the present invention is to provide a modular blood filter device and delivery system that allows the filter to be

decoupled from the delivery system when not needed, and that allows a new filter to be introduced to more effectively capture embolic material within the vessel, such as during an extended surgical procedure.

It is also an object of the present invention to provide an arterial cannula with modular filter device that substantially minimizes the likelihood of the blood filter becoming clogged and ineffective during use.

Additional objects and features of the present invention will become apparent from consideration of the following description taken in conjunction with the accompanying drawings.

10

### BRIEF DESCRIPTION OF THE DRAWINGS

FIG. 1 is a side view of an embodiment of an arterial cannula receiving a modular filter cartridge therein.

FIG. 2 is a partially cut-away side view of the arterial cannula of FIG. 1 with the modular filter cartridge received therein, showing the filter partially deployed.

FIG. 3 is another partially cut-away side view of another preferred embodiment of an arterial cannula with the modular filter cartridge received therein, showing an alternative arrangement of the deployed filter.

FIGS. 4 and 5 are side views of the distal end of an arterial cannula in accordance with the present invention introduced into a blood vessel, showing the side port located on the back and on the front, respectively, of the cannula.

FIG. 6 is a perspective view of a distal portion of an arterial cannula from a generally upstream position, showing a conical filter device fully deployed.

FIG. 7 is a perspective view of the distal end of the arterial cannula of FIG. 6 from a generally downstream position.

FIG. 8 is a back view of an embodiment of an expandable filter device in accordance with the present invention.

FIG. 9 is a side view of the expandable filter device of FIG. 8.

FIG. 10 is a cross-section of a support strut taken along line 10-10 of FIG. 9, including an inflation seal for engaging the wall of a vessel when the expandable



filter device is deployed.

FIG. 11 is a cross-section of an alternative embodiment of a support strut taken along line 10-10 of FIG. 9, including a self-expanding foam for engaging the wall of a vessel.

5 FIGS. 12 and 13 are side views of alternative embodiments of expansion frames for use in an expandable filter device in accordance with the present invention.

FIG. 14 is a side view of a spring-activated expansion frame for an expandable filter device in accordance with the present invention.

10 FIG. 15 is a side view of an embodiment of an expansion frame having "sausage" struts and an inflation seal.

FIGS. 16 and 17 are perspective views of the distal portion of a cannula with modular filter device in accordance with the present invention, with the expandable filter device deployed.

15 FIG. 18 is a perspective view of a distal portion of an arterial cannula with modular filter device, showing the modular filter cartridge after being received in the arterial cannula.

FIG. 19 is a perspective view of a distal portion of the arterial cannula with modular filter device of FIG. 18, prior to the modular filter cartridge being  
20 received in the arterial cannula.

#### DETAILED DESCRIPTION OF THE INVENTION

Turning now to the drawings, FIGS. 1-5 and 16-19 show embodiments of an arterial cannula with modular filter device 10 in accordance with the present  
25 invention. As shown in FIGS. 18 and 19, the device 10 generally includes three components, namely a cannula 20, a tubular cartridge 42 and an expandable filter device 60, the latter two components together defining a modular filter cartridge  
40.

The cannula 20 is an elongate tubular member 22, having a proximal end  
30 (not shown), a distal end 24, and a lumen 26 which extends between the proximal and distal ends 24. The proximal end is adapted for receiving blood from a

bypass-oxygenator machine (not shown). The distal end 24 has a tapered, curved and/or rounded end adapted to enter an artery (not shown), and includes an outlet 28 communicating with the lumen 26. The cannula 20 may be formed from a substantially rigid material.

5           The cannula 20 includes a side port 32 for receiving the modular filter cartridge 40. The side port 32 may be attached to or integrally formed on the cannula 20, possibly on the front (downstream area), back (upstream area) or side of the cannula, as shown, for example, in FIGS. 4 and 5. Preferably, the side port 32 is located adjacent the distal end 24 of the cannula 20 above a suture flange 30  
10 thereon, and extends diagonally from the cannula 20. A passage 34 extends from the side port 32 to the lumen 26 in the cannula 20, as shown in FIG. 2. Alternatively, the passage 34 may communicate with the lumen 26 of the cannula 20, and the distal end 24 of the cannula 20 may include a separate filter outlet 29, as shown in FIG. 3, or the passage 34 may be isolated from the lumen 26 and  
15 extend distally from the side port 32 along a wall of the cannula 20 to a filter outlet (not shown) on or adjacent the distal end 24 of the cannula 20. Preferably, the side port 32 also has a predetermined cross-sectional configuration corresponding to the modular filter cartridge 40, as explained below. Optionally, the side port 32 may include a hemostatic valve (not shown) across the passage 34, providing a  
20 fluid-tight seal that prevents fluid flow out of the passage 34 from the lumen 26 of the cannula 20, yet allows the modular filter cartridge 40 to be received in and removed from the side port 32.

The tubular cartridge 42 is generally an elongate tubular member having a proximal end 44, a distal end 46 and a channel (not shown) for receiving the filter  
25 device 60. The cartridge 42 facilitates the modular nature of the device 10, providing a hemostatic seal between the filter device 60 and the side port 32 on the cannula 20. The cartridge 42 may have an outer wall 48 shaped similarly to the passage 34 in the side port 32 as shown in FIGS. 18 and 19, thereby providing a fluid-tight seal when the modular filter cartridge 40 is received in the side port 32.  
30 The channel in the cartridge 42 may also have a shape similar to the filter device 60 to provide a fluid-tight seal between the cartridge 42 and the filter device 60.

Alternatively, a hemostatic valve (not shown) may be provided across the channel, for example at the proximal end 44 of the cartridge 42 to provide a fluid-tight seal, yet allow the filter device 60 to be slidably received in and possibly removed from the cartridge 42. Preferably, the cartridge 42 is provided from molded  
5 plastic materials that provide a hemostatic seal when the outer wall 48 of the cartridge 42 slidably engages the passage 34 in the side port 32, and when the shaft 62 of the filter device 60 slidably engages the channel in the cartridge 42.

Referring to FIGS. 16-19, the expandable filter device 60 generally includes a shaft 62, a handle 68 and an expandable filter 70. The shaft 62 is  
10 generally an elongate member, having the handle 68 on its proximal end 64 and the expandable filter 70 on its distal end 66. Optionally, the shaft 62 may include a passage 65, such as for an inflation lumen or a mechanical control apparatus for the expandable filter 70, extending between the proximal end 64 and the distal end (not shown). The shaft 62 may be provided from a resilient semi-rigid material  
15 that is biased to a particular shape, for example to remain substantially straight, but is sufficiently flexible to follow the contour of the passage 34 and/or the lumen 26 in the cannula 20. Exemplary materials include plastic or metal. Generally, the shaft 62 may have a cross-section corresponding to the channel in the cartridge 42, thereby providing a hemostatic seal that prevents flow of fluid through the  
20 channel, although alternatively, the cartridge 42 may include a separate seal as described above, or the shaft 62 may include a seal (not shown).

Preferably, the cross-sections of the side port 32, the cartridge 42 and the shaft 62 have a substantially square, rectangular or other similar shape. The  
25 corresponding shape preferably limits the device 10 to being assembled in a single orientation. This may be particularly important to ensure that the expandable filter 70 is deployed within a blood vessel such that it intersects the vessel, and substantially engages the wall of the vessel to effectively capture embolic material. The side port 32 also helps orient the surgeon using the device 10 with respect to  
30 the vessel. For example, with the side port 32 on the side of the cannula 20 as shown in FIGS. 16 and 17, the surgeon may orient the side port 32 perpendicular to the vessel to ensure that the outlet is directed downstream and that the filter is

oriented for proper deployment.

Turning now to FIGS. 8 and 9, an embodiment of an expandable filter 70 is shown that may be provided on or near the distal end 66 of the shaft 62. The expandable filter 70 generally includes an expansion frame 72 capable of assuming enlarged and contracted conditions, and filter mesh 80. Preferably, the expansion frame 72 includes a plurality of struts 74 that may be expanded and contracted to define respectively the enlarged and contracted conditions. Filter mesh 80 is attached to the struts 74, 75 of the expansion frame 72. For a complete explanation of the design and construction of a filter mesh for use in accordance with the present invention, the reader is referred to Barbut et al., U.S. Application Serial No. 08/553,137, filed November 7, 1995, Barbut et al., U.S. Application Serial No. 08/580,223, filed December 28, 1995, Barbut et al., U.S. Application Serial No. 08/584,759, filed January 9, 1996, Barbut et al., U.S. Application Serial No. 08/640,015, filed April 30, 1996, Barbut et al., U.S. Application Serial No. 08/645,762, filed May 14, 1996, and U.S. Application Serial No. 08/852,867, filed April 16, 1997. The disclosure of these references and any others cited herein are expressly incorporated herein by reference.

In the preferred embodiment of FIGS. 8 and 9, the struts 74, 75 may open automatically into a substantially hemispherical shape when deployed, for example, by providing them from plastic, spring stainless steel, or a superelastic and/or shape memory material, such as Nitinol, that is biased to expand to define the hemispherical shape. Stabilizers 76 may be provided to stabilize the expansion frame 72, or may be omitted if the bias of the struts 74, 75 provides sufficient stability. In addition, the struts 74, 75 may be attached to the shaft 62 using hinged joints to facilitate expanding and contracting the expansion frame 72.

The open end struts 75 may also include seals for engaging the wall of a blood vessel to substantially minimize embolic material traveling around the periphery of the deployed expandable filter 70. For example, as shown in FIG. 10, the struts 75 may include a silicone or urethane balloon 76 attached along their length that may be inflated from a lumen (not shown) extending between the struts

75 and the shaft 62. The balloon 76 may also be used to expand the expansion frame 72 to its enlarged condition if the struts 74, 75 are unbiased or are biased to the contracted condition. Alternatively, as shown in FIG. 11, the struts 75 may include a self-expanding foam 82, such as silicone, that will expand when the expandable filter 70 is deployed to substantially engage the wall of the vessel.

Alternatively, as shown in FIG. 3, the struts 74 may have an umbrella-like configuration, which may be particularly useful when the expandable filter 70 is deployed out a filter outlet 29 on the back (upstream side) of the cannula 20. The struts 74 may be biased to expand to the enlarged condition. To remove the expandable filter 70, the shaft 62 may be pulled proximally, closing the struts 74 as they enter the filter outlet 29.

In another preferred embodiment, such as that shown in FIGS. 6 and 7, the expansion frame 72 is a self-expanding ring 73 formed from spring stainless steel or a superelastic and/or shape memory material, such as Nitinol. The ring 73 may be compressed for insertion into the cartridge 42, but, because of the shape memory of the material, it is biased to open automatically into an annular shape when the expandable filter 70 is deployed. Preferably, the ring 73 also includes a kink 75 adjacent the distal end 66 of the shaft 62 to bias the ring 73 against the wall of the vessel, and maximize the cross-section of the vessel intersected by the expandable filter 70. Without the kink 75, the ring may deform slightly, creating an imperfect circular cross-section that may allow embolic material to escape around the periphery of the deployed expandable filter 70. The filter mesh 80 attached to the ring 75 preferably has a substantially conical shape, such that when the ring 75 expands across the vessel, the mesh 80 is pulled open downstream by blood flow in the vessel to capture any embolic material traveling through the vessel.

Alternatively, as shown in FIG. 15, the expansion frame 72 may include a ring 75 having a "sausage" configuration, that is, having hinges or dimples on several locations around the ring 75, allowing the ring 75 to enlarge and contract more easily, and conform tightly to vessel lumen topography. Preferably, this embodiment also includes a balloon 84 attached around the periphery of the ring

75 to guide the ring 75 to assume a substantially round configuration when the balloon 82 is inflated.

In still another preferred embodiment, a mechanically-operated expansion frame 72 may be provided. For example, the expansion frame 72 of FIGS. 12 and 13 includes a ring 78 to which one end 74a, 75a of the struts 74, 75 are attached. The ring 78 may be slidable axially in relation to the shaft 62, for example by use of a control wire or sleeve (not shown) to expand and contract the struts 74, 75. Alternatively, the ring 78 may be twisted radially to open and/or close the struts 74, 75.

As shown in FIG. 14, a spring 79 may be provided between the ends 74a, 75a, 74b, 75b of the struts 74, 75. The spring 79 may be compressed by use of a control wire or like apparatus (not shown) to expand the struts 74, 75 to the enlarged condition. When the filter 70 is to be removed, the spring 79 biases the expansion frame 72 to compress the struts 74, 75 to the contracted condition, entrapping embolic material in the mesh 80.

Alternatively, the open end struts 75 may themselves be provided from compressed springs (not shown), thus biasing them to the contracted condition. Such struts may conform more easily to the shape of the wall of the vessel than solid struts.

Generally, as shown in FIG. 19, the cannula 20 and the modular filter device 40 are furnished separately, although alternatively, the device 10 may be provided preassembled as in FIG. 18. The cartridge 42 and filter device 60, however, are generally preassembled, thereby providing the modular filter cartridge 40. This is accomplished by compressing the expandable filter (not shown) and directing the distal end (not shown) of the shaft 62 into the channel (not shown) in the cartridge 42, such that the expansion frame and mesh (not shown) are substantially contained within the cartridge 42.

Prior to use, the modular filter cartridge 40 may be inserted into the side port 32 of the cannula 20, as shown in FIG. 18. The distal end 24 of the cannula 20 may then be introduced into a blood vessel 100, such as the aorta, using conventional procedures, as illustrated in FIGS. 4 and 5, allowing blood to be

carried into the vessel 100 from the lumen 26. Once the distal end 24 of the cannula 20 is in position within the vessel 100 and the cannula 20 is secured to the patient, such as using the suture flange 30, the expandable filter may be deployed into the vessel, as shown in FIGS. 16 and 17.

5           As shown in FIGS. 2 and 3, the shaft 62 of the filter device 60 may be directed distally to deploy the expandable filter 70 on its distal end 66. This causes the expandable filter 70 to pass through the passage 34, through the lumen 26 in the cannula 20 and to exit the distal end 24 of the cannula 20 either through the outlet 28 (FIG. 2) or the filter outlet 29 (FIG. 3), into the vessel (not shown in  
10 FIGS. 2 and 3). The expansion frame 72 may open automatically, or may be mechanically expanded to its enlarged condition, thereby opening the filter mesh 80 substantially across the vessel and capturing any embolic material traveling therethrough. At any time, the expansion frame 72 may be closed to its contracted condition, entrapping any embolic material captured by the mesh 80, and the  
15 expandable filter 70 withdrawn by pulling proximally on the shaft 62. The expandable filter 70 may be returned into the cartridge 42, which may then be removed from the side port 32. A new modular filter cartridge 40 may be inserted into the side port 32 at any time thereafter, allowing a new expandable filter 70 to be introduced into the vessel, as desired during a surgical procedure.

20           The modular filter device and delivery system in accordance with the present invention is particularly useful in cardiac surgery. A cannula with modular filter as described above may be deployed within the aorta, for example, upstream of the carotid arteries. The aorta may be clamped upstream of the cannula with modular filter in preparation for a bypass procedure. This clamping generally  
25 substantially increases the risk of embolic deposits breaking loose from the wall of the aorta and traveling downstream. With the filter deployed, however, embolic material dislodged during this action may be captured by the filter device. Once the aorta is clamped, the risk of further embolic material being dislodged may be substantially reduced, and so the filter may be removed without substantial concern  
30 about embolic material escaping and possibly injuring the patient.

Later in the surgery, a new filter device may be introduced through the

cannula into the aorta prior to any action which may substantially increase the risk of further embolic material breaking loose, such as when the aorta is unclamped. Because a new filter may be deployed, any embolic material that is dislodged may be captured more effectively, as opposed to a filter which must remain in the aorta throughout the procedure which may become clogged and impair blood flow through the vessel.

Similarly, the cannula with modular filter may be used to capture embolic material when balloon occlusion is used instead of clamping to close the aorta in bypass procedures. In this procedure, the occlusion balloon may be provided on the same cannula providing the modular filter. Alternatively, a catheter may be introduced into the aorta upstream of the bypass cannula, possibly through a cardioplegic cannula. A filter may be deployed prior to inflation of the occlusion balloon, thereby capturing any embolic material released by the balloon as it engages the walls of the aorta. This procedure may be slightly disfavored, however, since it may reduce the work space available for the bypass cannula and modular filter device.

An important feature of the present invention is that the filter may be placed immediately downstream of the location which is likely to generate emboli within the bloodstream, such as within the aorta. In addition, a filter device in accordance with the present may more effectively capture embolic material, because the expansion frame in the enlarged substantially engages the wall of the vessel extending the mesh across the vessel, and because the expansion frame may be closed before removal, entrapping the captured material. Thus, the arterial cannula with modular filter device in accordance with the present invention may more effectively capture and remove embolic material released during extended procedures, such as coronary bypass surgery, without clogging the filter and impairing blood flow through the vessel.

In some cases, it may be desirable to provide the filter upstream of the cannula outlet through a separate filter outlet, as shown in FIG. 3. For example, this embodiment eliminates filtering the bypass blood which may accelerate clogging of the filter. It also may allow a variety of nozzle designs to be provided on the



cannula, without concern that the outlet may be partially obstructed by the shaft of the filter device, as may occur with filters deployed through the cannula outlet.

While the invention is susceptible to various modifications, and alternative forms, specific examples thereof have been shown in the drawings and are herein  
5 described in detail. It should be understood, however, that the invention is not to be limited to the particular forms or methods disclosed, but to the contrary, the invention is to cover all modifications, equivalents and alternatives falling within the spirit and scope of the appended claims.

What is claimed is:

1. An arterial cannula capable of receiving a modular filter cartridge for capturing embolic material in a blood vessel, the arterial cannula comprising:  
a cannula having an outer surface, a distal end adapted to enter an artery, a proximal end adapted to receive blood from a bypass-oxygenator machine, and a lumen which extends from the proximal end to the distal end; and  
a port on the outer surface of the blood cannula for receiving a modular filter cartridge.
2. The arterial cannula of claim 1, wherein the port includes a passage communicating with the lumen of the cannula.
3. The arterial cannula of claim 1, wherein the port includes a passage extending distally from the port along the cannula to an outlet on the distal end of the cannula.
4. The arterial cannula of claim 1, wherein the port has a shape adapted to receive a modular filter cartridge in a predetermined orientation.
5. The arterial cannula of claim 1, wherein the port includes a hemostatic valve for sealing the filter port from backflow of fluid when a modular filter cartridge is received in and removed from the port.
6. A modular filter apparatus for insertion into an arterial cannula for filtering embolic material from a blood vessel into which the cannula is introduced, said modular filter apparatus comprising:  
a shaft having a proximal end and a distal end;  
an expansion frame mounted on the distal end of the shaft which is expandable between a contracted and enlarged condition; and  
a filter mesh attached to the expansion frame for capturing embolic material,

wherein the modular filter is removably insertable into an arterial cannula.

7. The modular filter apparatus of claim 6 further comprising a tubular  
5 cartridge for receiving the distal end of the filter shaft and protecting the expansion frame and mesh thereon, the cartridge being removably insertable into an arterial cannula.

8. The modular filter apparatus of claim 7, wherein the tubular  
10 cartridge provides a hemostatic seal between the filter shaft and an arterial cannula into which the cartridge may be inserted.

9. An arterial cannula with modular filter, comprising:  
a cannula having an outer surface, a distal end adapted to enter an  
15 artery, a proximal end adapted to receive blood from a bypass-oxygenator machine, and a lumen which extends from the proximal end to the distal end;  
a port on the outer surface of the cannula, and having a passage therein extending distally into the cannula; and  
a modular filter cartridge removably insertable into the port.

20

10. The arterial cannula of claim 9, wherein the modular filter cartridge comprises an expandable filter removably insertable through the passage when the cartridge is received in the port.

25 11. The arterial cannula of claim 10, wherein the modular filter cartridge provides a hemostatic seal between the expandable filter and the port.

12. The arterial cannula of claim 9, wherein the modular filter cartridge comprises:  
30 a shaft having a proximal end and a distal end;  
an expansion frame mounted on the distal end of the shaft which is

expandable between a contracted and enlarged condition; and  
a filter mesh attached to the expansion frame.

13. The arterial cannula of claim 9, wherein the passage in the filter  
5 port communicates with the lumen in the cannula.

14. The arterial cannula of claim 12, wherein the expansion frame  
comprises a substantially circular belt of self-expanding material.

15 10 15. The arterial cannula of claim 14, wherein the self-expanding  
material is spring stainless steel.

16. The arterial cannula of claim 14, wherein the self-expanding  
material is Nitinol.

15 17. A method of temporarily filtering embolic material from the blood  
in a blood vessel, said method comprising the steps of:

providing a cannula having a distal end adapted to enter an artery, a  
proximal end adapted to receive blood from a bypass-oxygenator machine, a  
20 lumen which extends from the proximal end to the distal end, and a port for  
receiving a modular filter;

providing a modular filter having an expandable filter therein, the  
expandable filter capable of assuming enlarged and contracted conditions;

25 introducing the distal end of the cannula into a blood vessel;

inserting the modular filter into the port on the cannula;

25 advancing the expandable filter through the cannula into the blood  
vessel;

deploying the expandable filter within the vessel; and

removing the expandable filter from the vessel,

30 wherein embolic material is generated and filtered before the  
expandable filter is removed from the vessel.

18. The method of claim 14, comprising the additional step of removing the modular filter from the port.

5 19. The method of claim 15, comprising the additional step of inserting a second modular filter into the port of the cannula after the step of removing the modular filter.

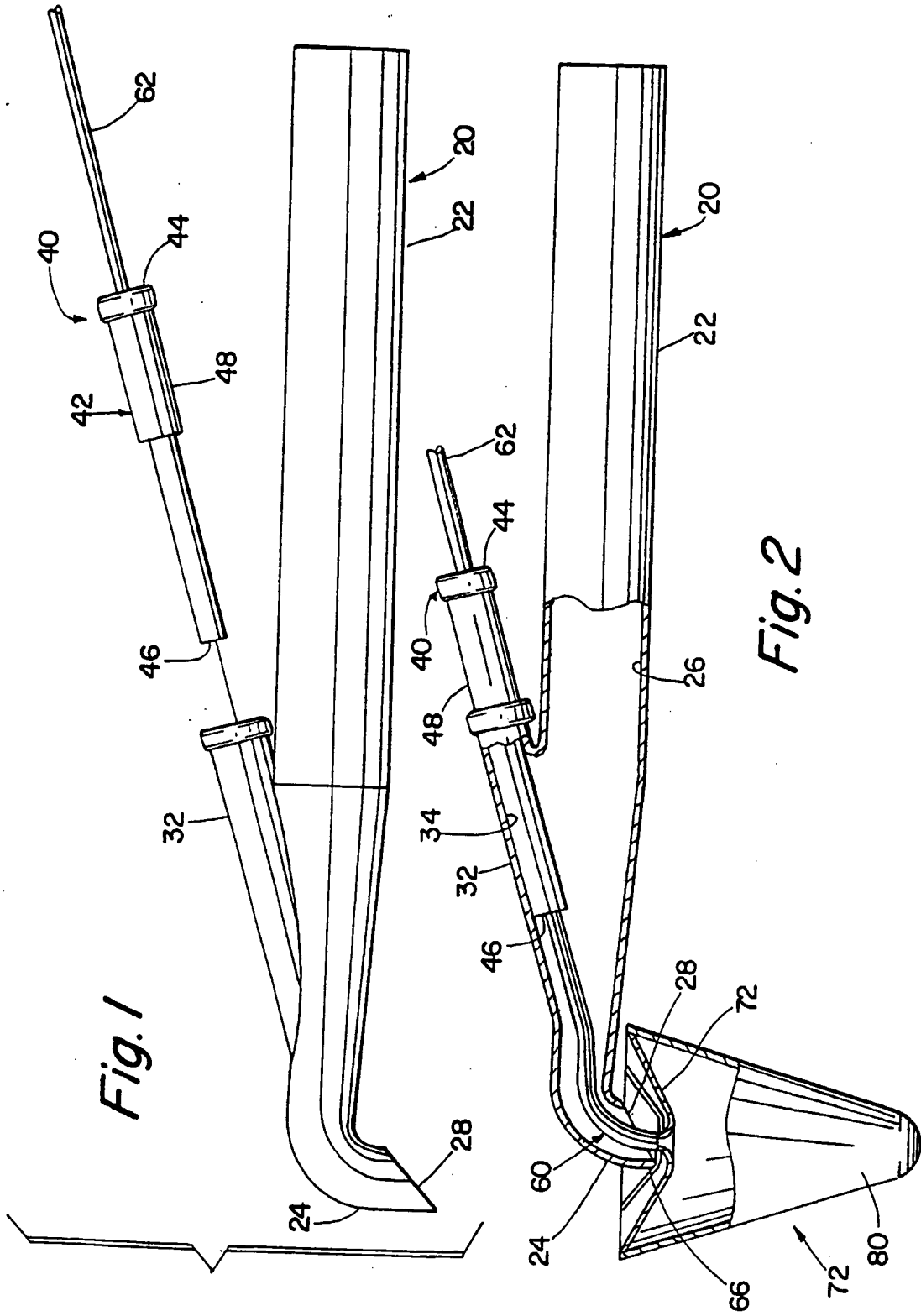


Fig. 1

Fig. 2

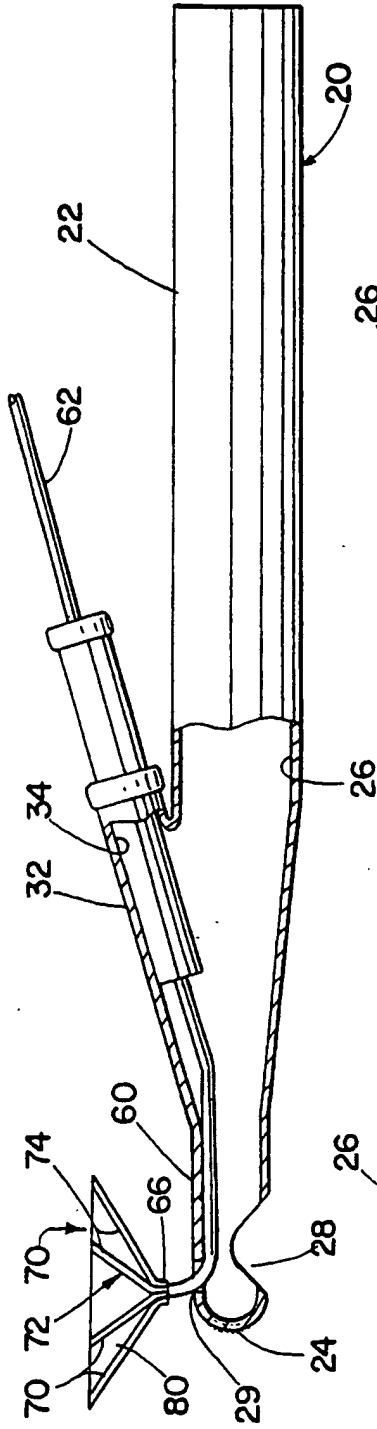


Fig. 3

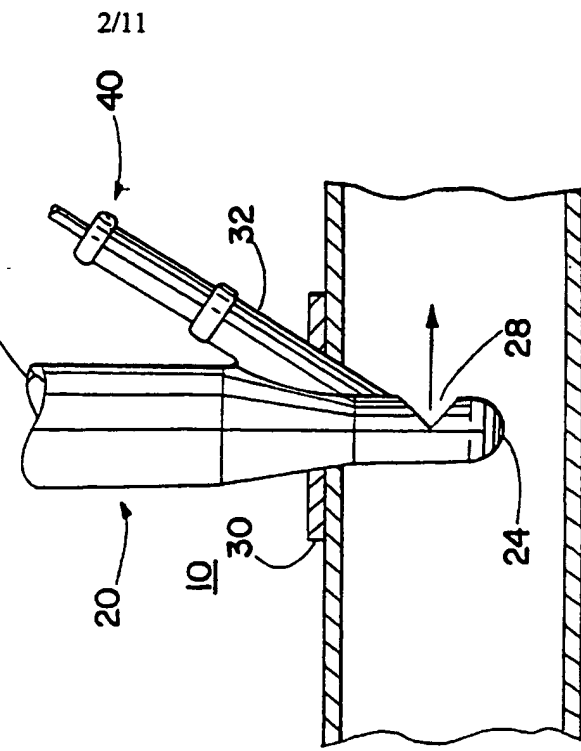


Fig. 4

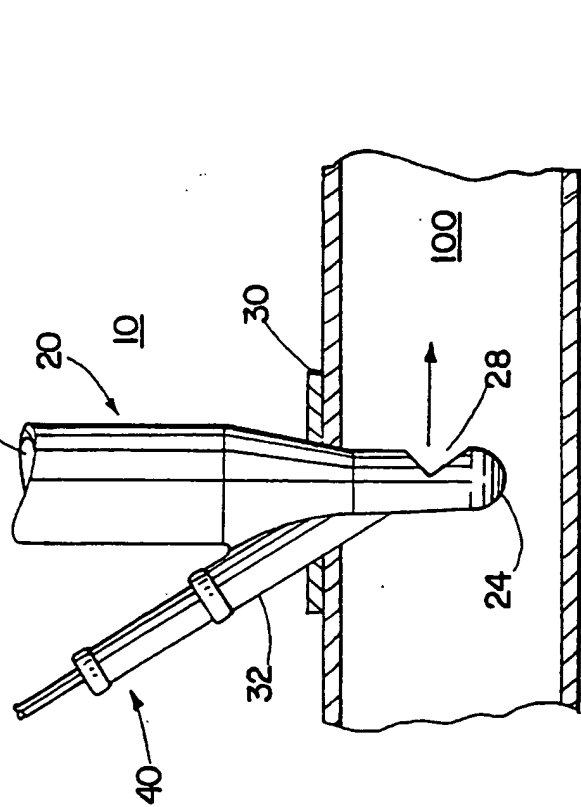


Fig. 5

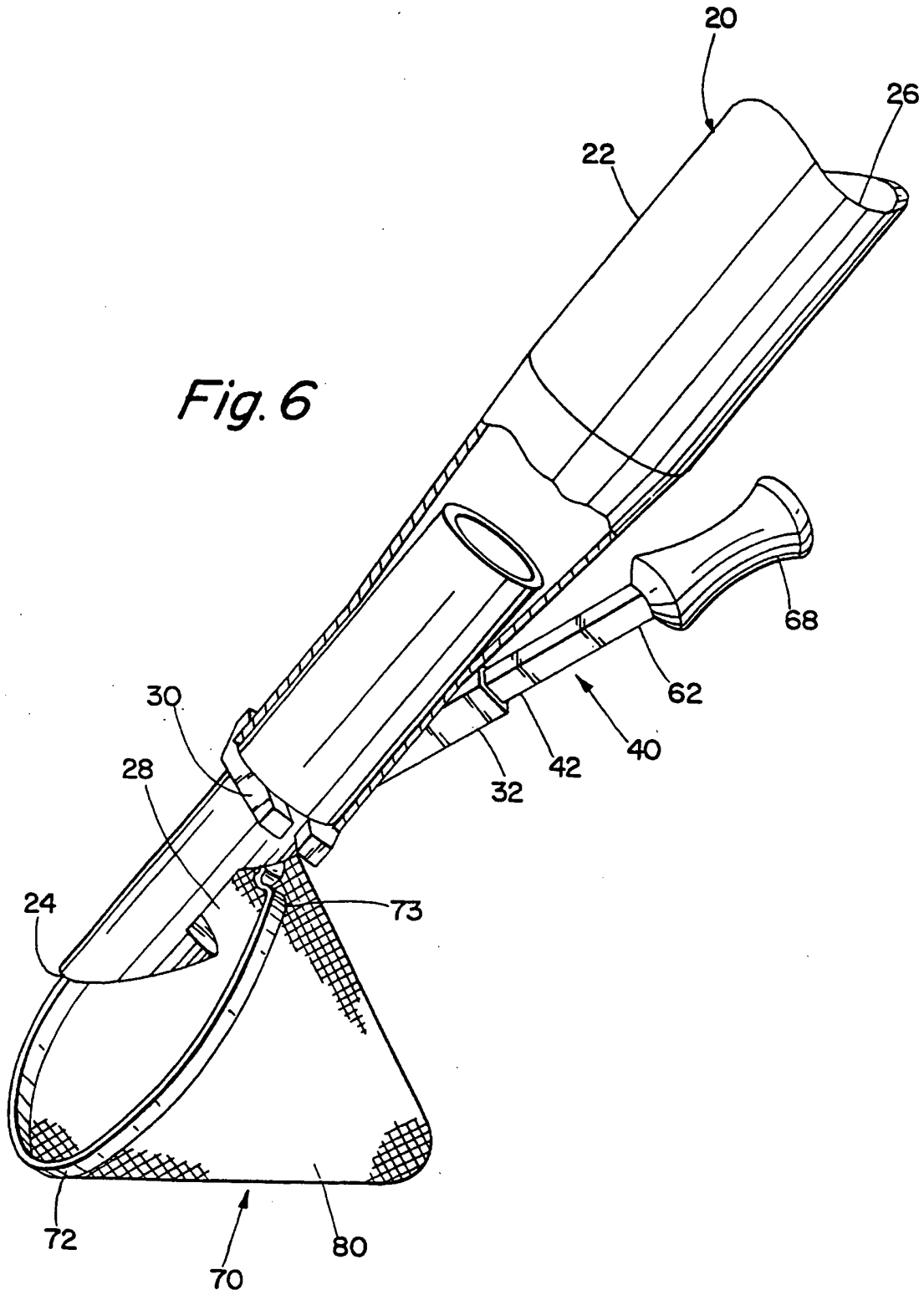


Fig. 6



4/11

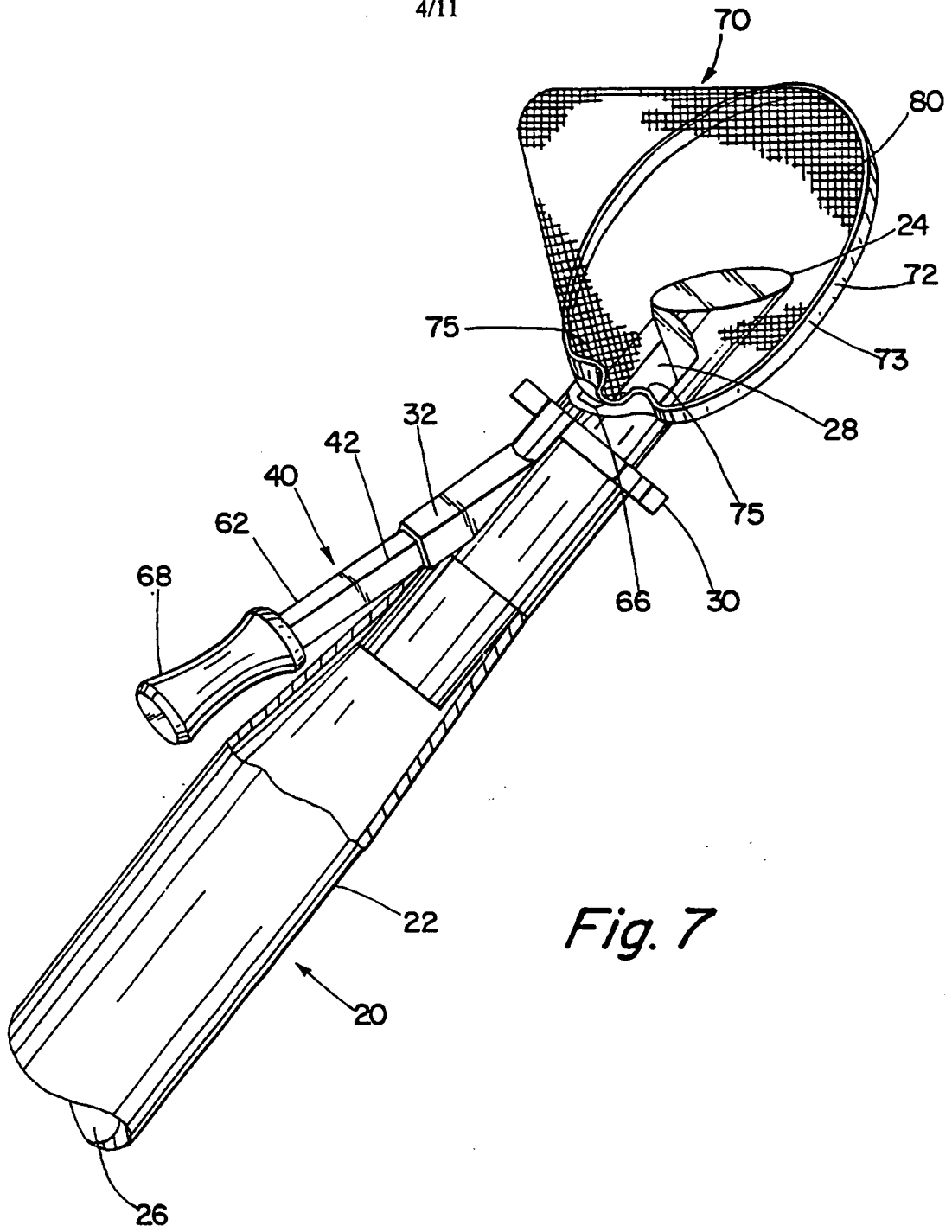
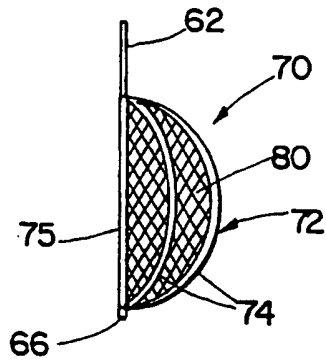
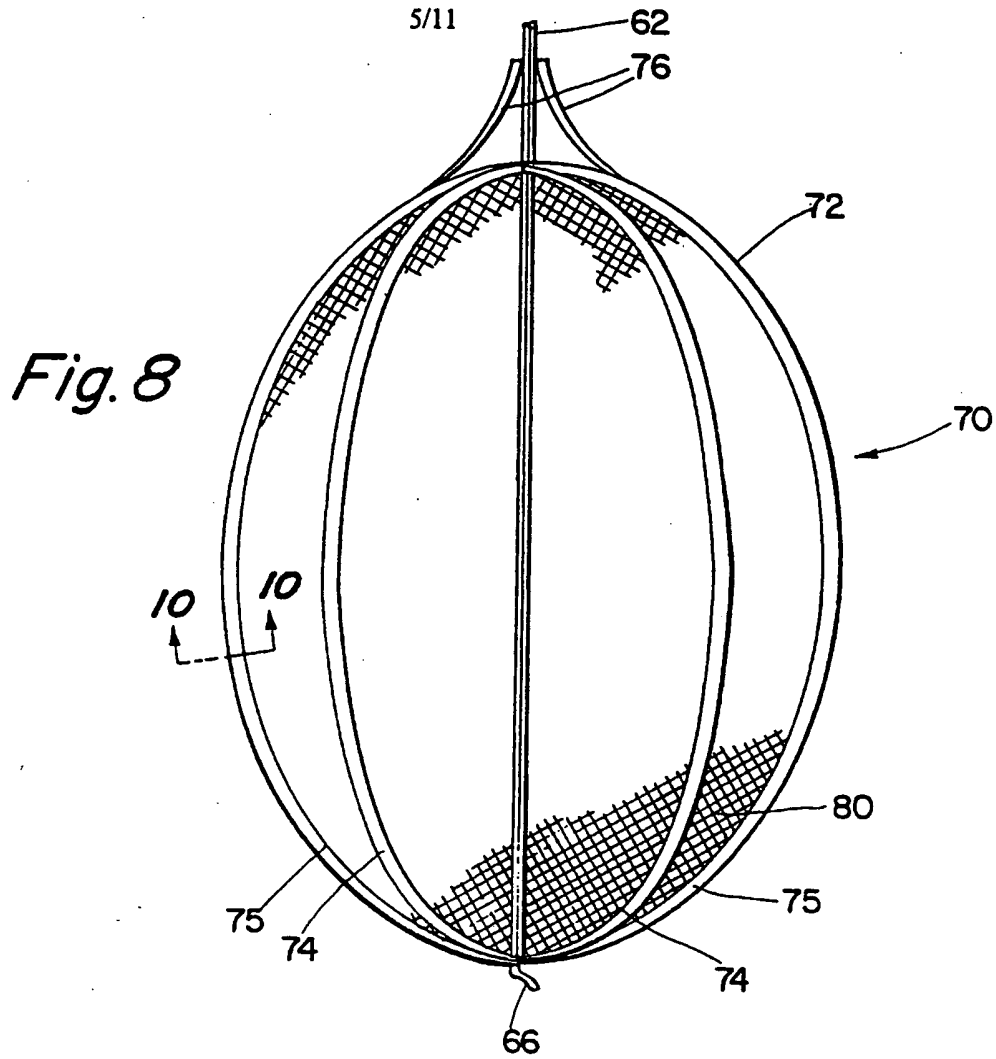
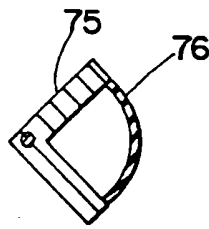


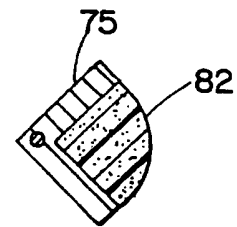
Fig. 7



*Fig. 9*



*Fig. 10*



*Fig. 11*

6/11

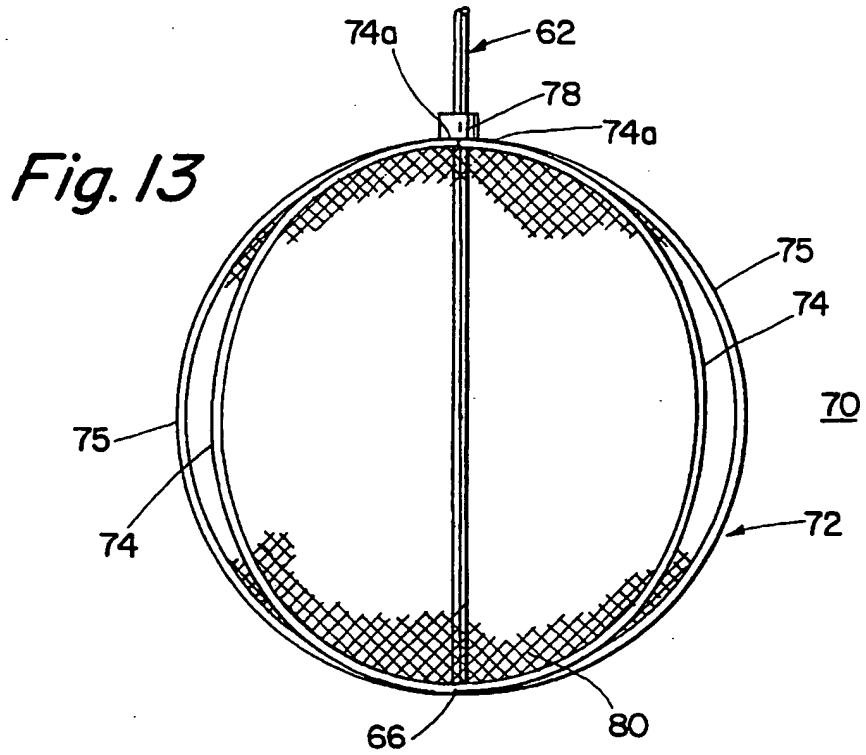
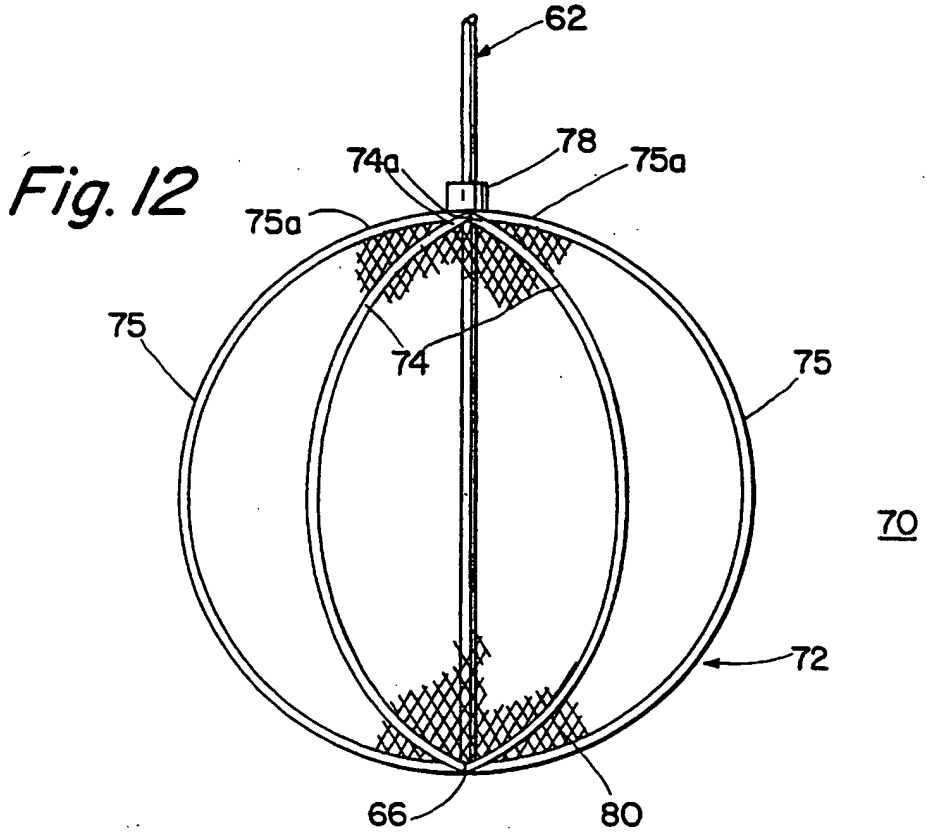


FIG. 14

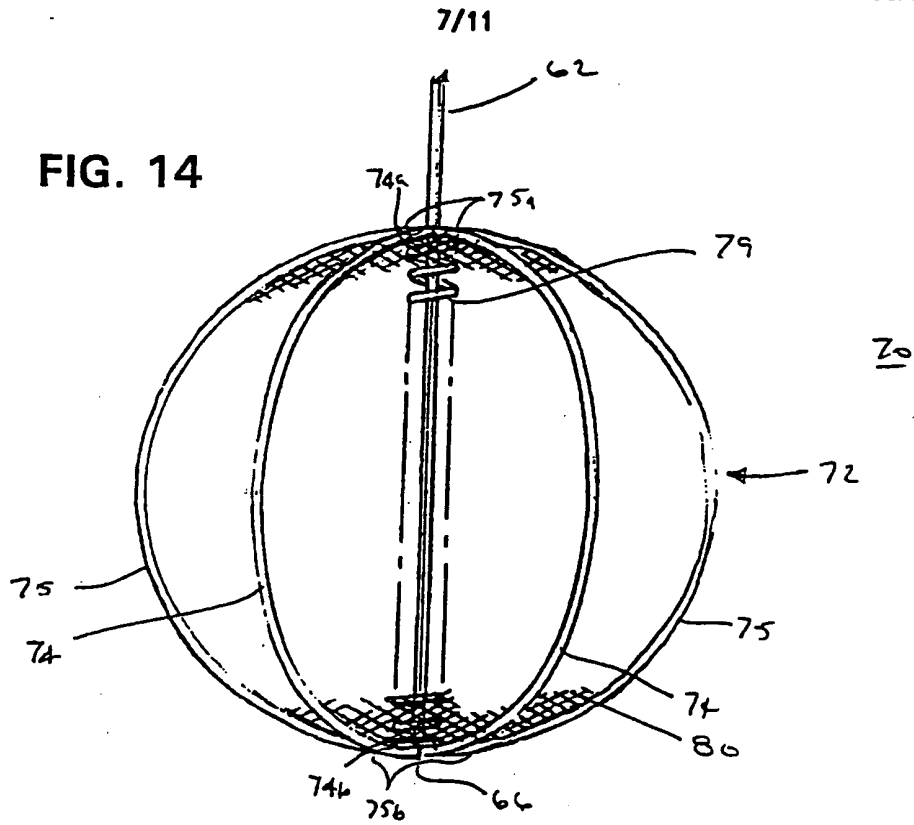
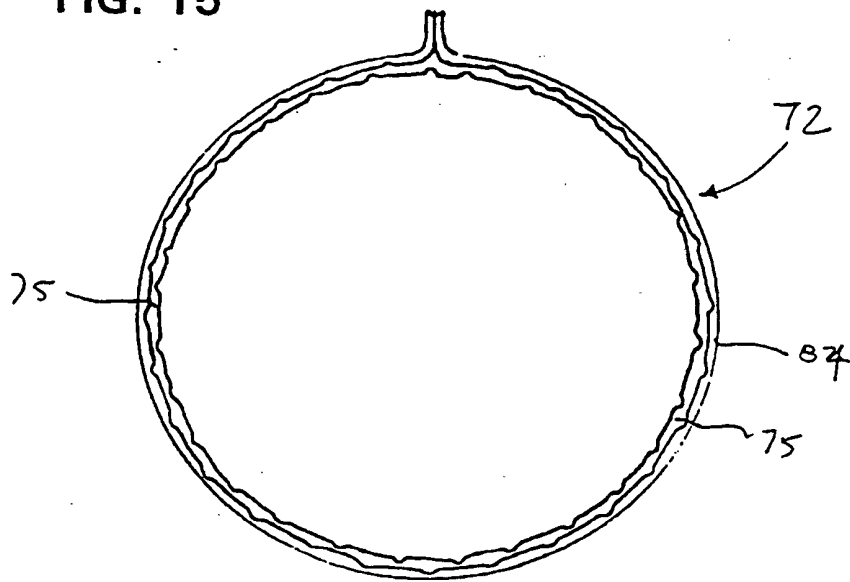
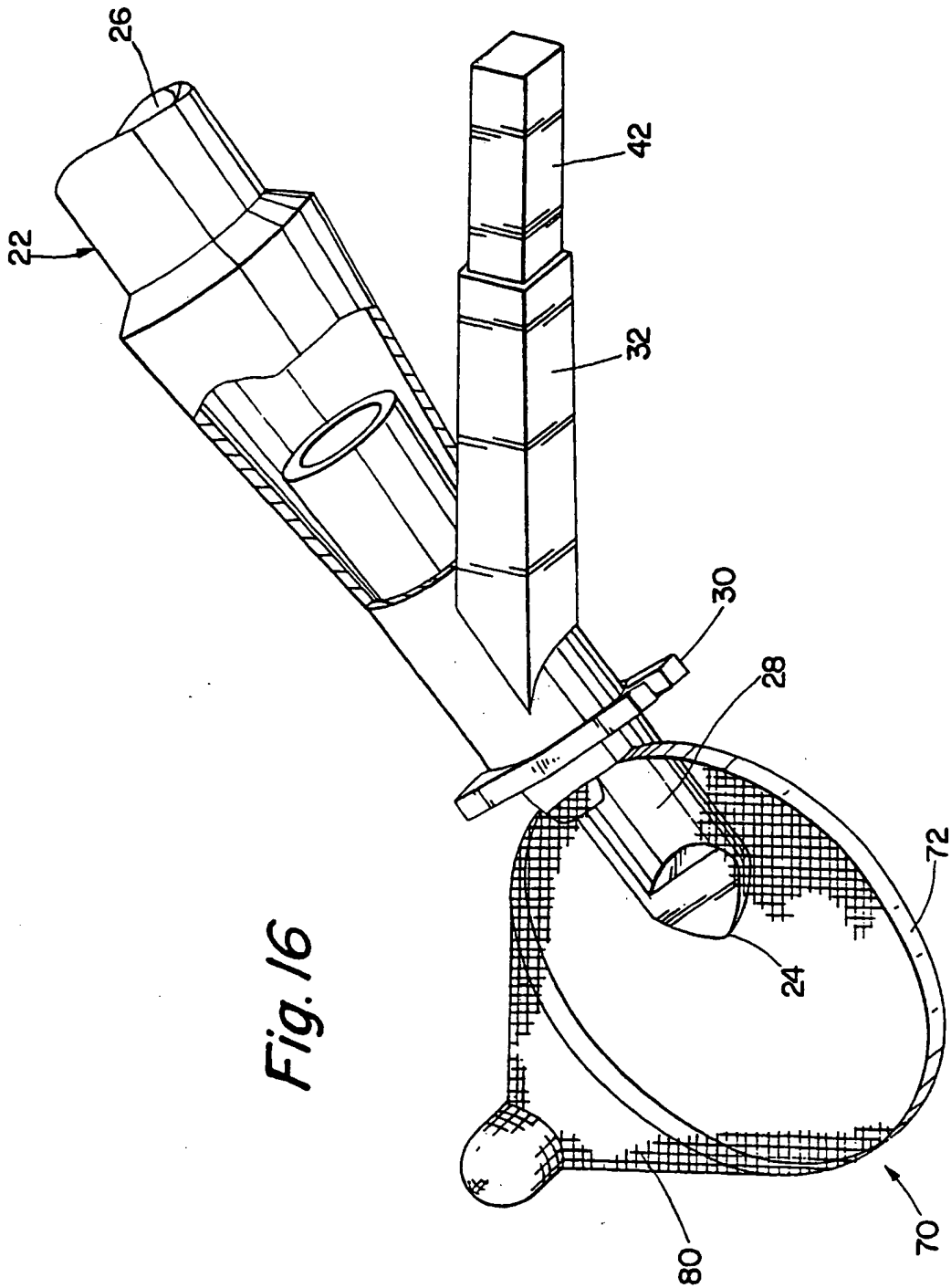


FIG. 15





*Fig. 16*

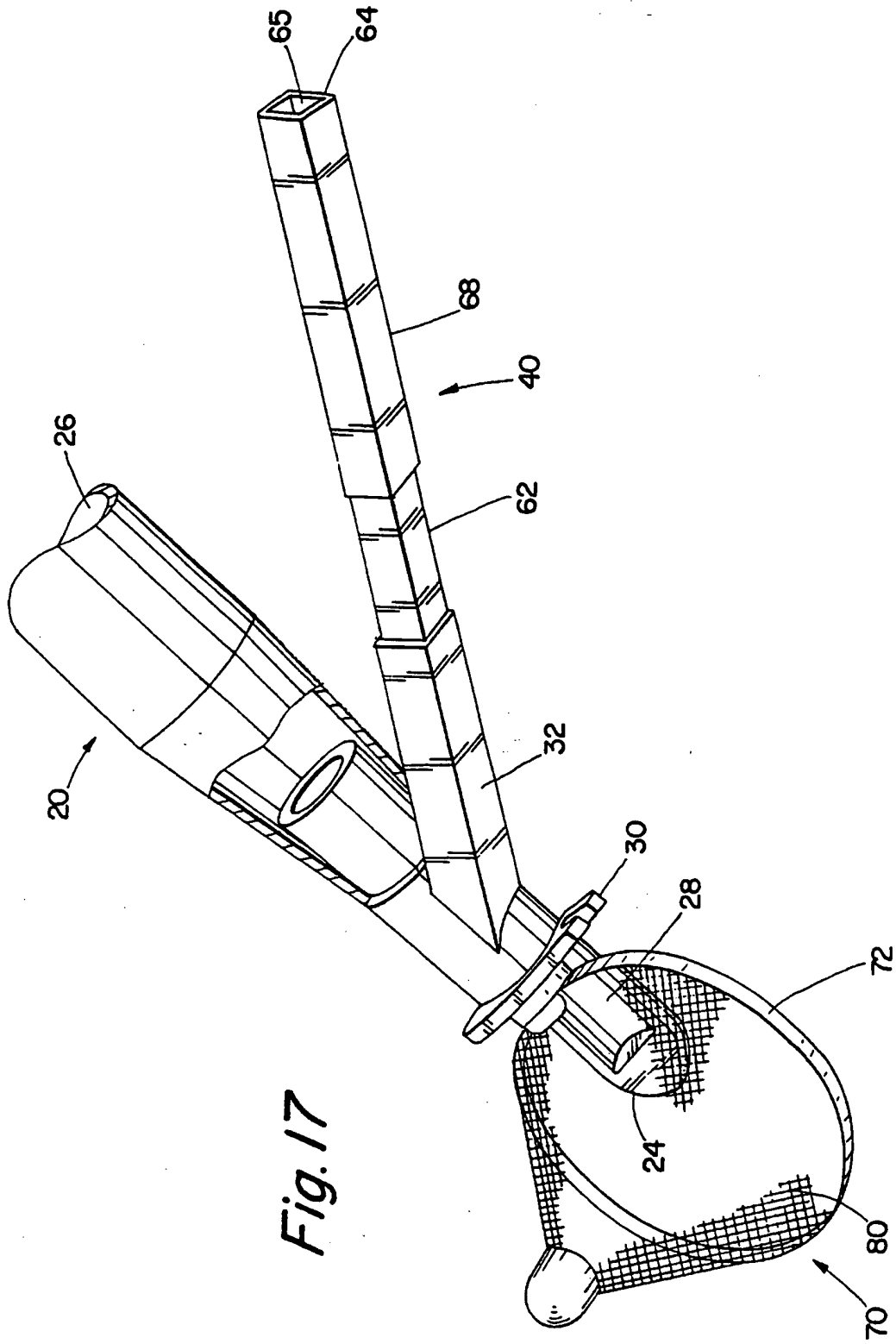


Fig. 17

10/11

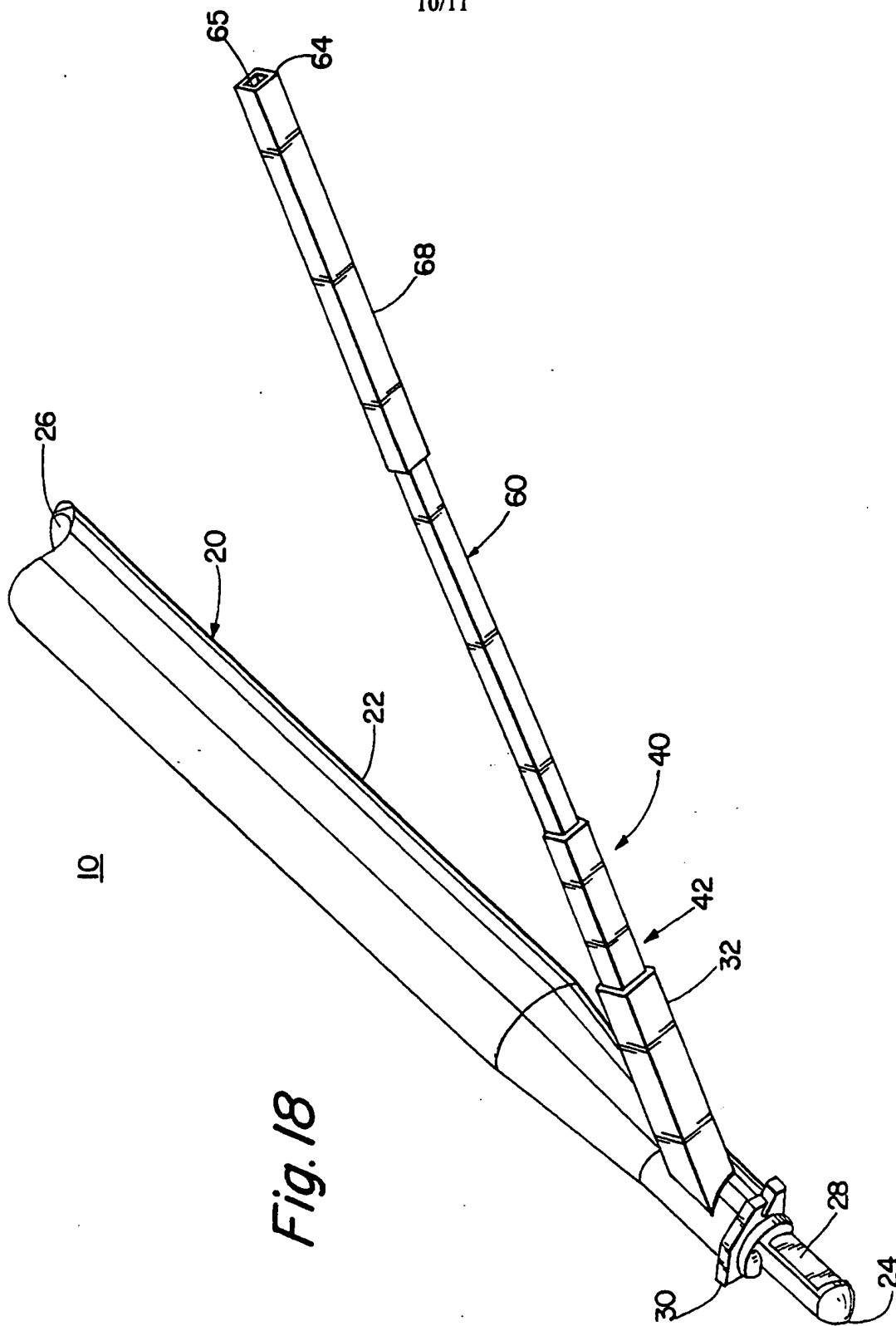


Fig. 18

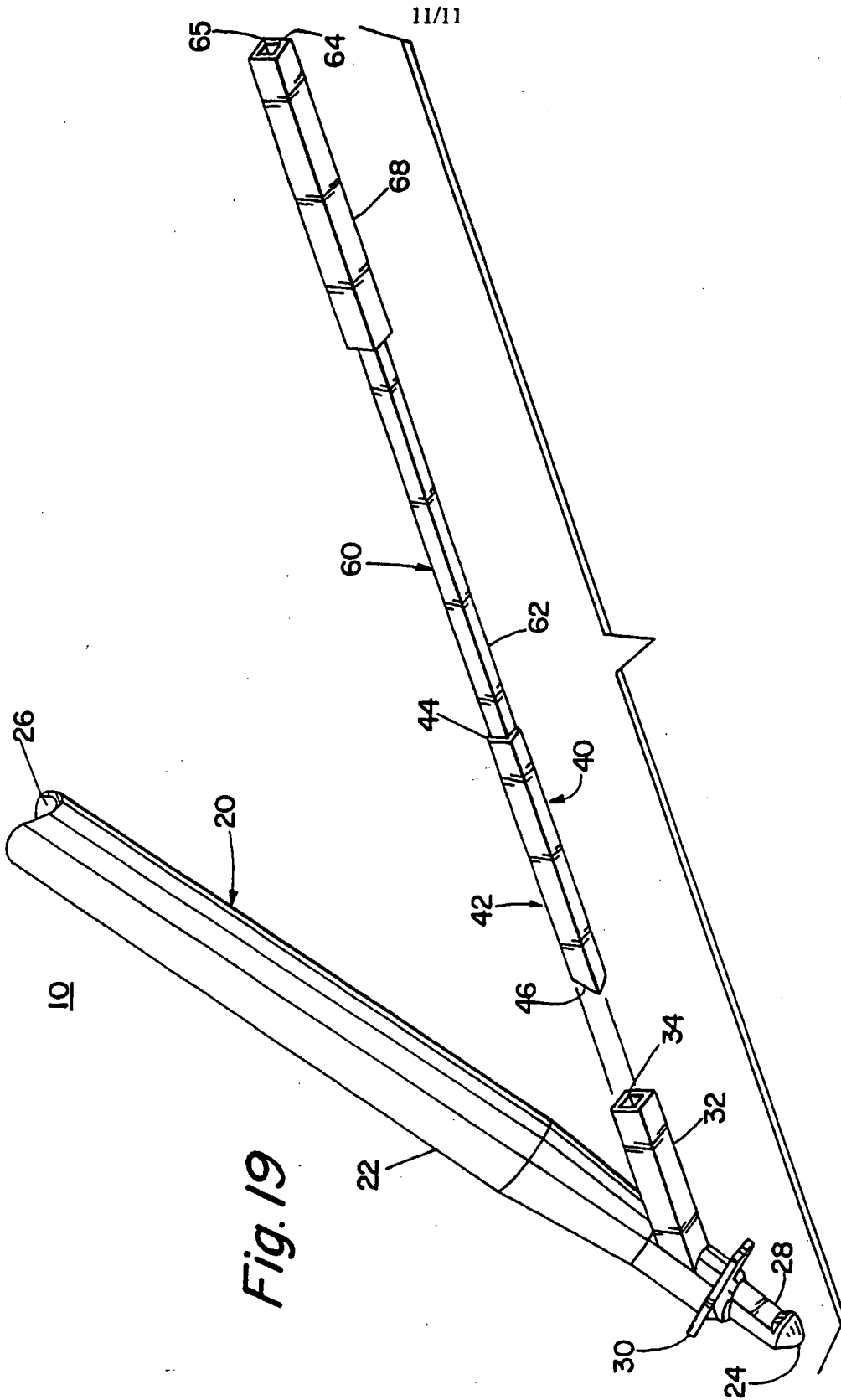


Fig. 19



INTERNATIONAL SEARCH REPORT

International application No.  
PCT/US98/08862

**A. CLASSIFICATION OF SUBJECT MATTER**  
 IPC(6) :A61B 17/32  
 US CL :606/200  
 According to International Patent Classification (IPC) or to both national classification and IPC

**B. FIELDS SEARCHED**  
 Minimum documentation searched (classification system followed by classification symbols)  
 U.S. : 606/200

Documentation searched other than minimum documentation to the extent that such documents are included in the fields searched

Electronic data base consulted during the international search (name of data base and, where practicable, search terms used)

**C. DOCUMENTS CONSIDERED TO BE RELEVANT**

Category*	Citation of document, with indication, where appropriate, of the relevant passages	Relevant to claim No.
Y	US 4,577,631 A (KREAMER) 25 March 1986, Figs. 1, 2 and 8-10.	1-19
X	US 3,923,065 A (NOZICK et al) 02 December 1975, Fig. 1.	1-19

Further documents are listed in the continuation of Box C.  See patent family annex.

* Special categories of cited documents:	*T* later document published after the international filing date or priority date and not in conflict with the application but cited to understand the principle or theory underlying the invention
*A* document defining the general state of the art which is not considered to be of particular relevance	*X* document of particular relevance; the claimed invention cannot be considered novel or cannot be considered to involve an inventive step when the document is taken alone
*E* earlier document published on or after the international filing date	*Y* document of particular relevance; the claimed invention cannot be considered to involve an inventive step when the document is combined with one or more other such documents, such combination being obvious to a person skilled in the art
*L* document which may throw doubts on priority claim(s) or which is cited to establish the publication date of another citation or other special reason (as specified)	*A* document member of the same patent family
*O* document referring to an oral disclosure, use, exhibition or other means	
*P* document published prior to the international filing date but later than the priority date claimed	

Date of the actual completion of the international search 16 JUNE 1998	Date of mailing of the international search report 6 JUL 1998
---	--

Name and mailing address of the ISA/US Commissioner of Patents and Trademarks Box PCT Washington, D.C. 20231 Facsimile No. (703) 305-3230	Authorized officer <i>Vikki Trinh</i> VIKKI TRINH Telephone No. (703) 308-8238
---	---

**THIS PAGE BLANK (USPTO)**